

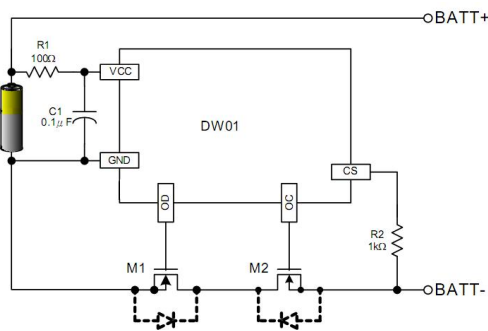


Battery Protection IC For 1-Cell Pack 單鋰電池保護電路

■ Features 特點

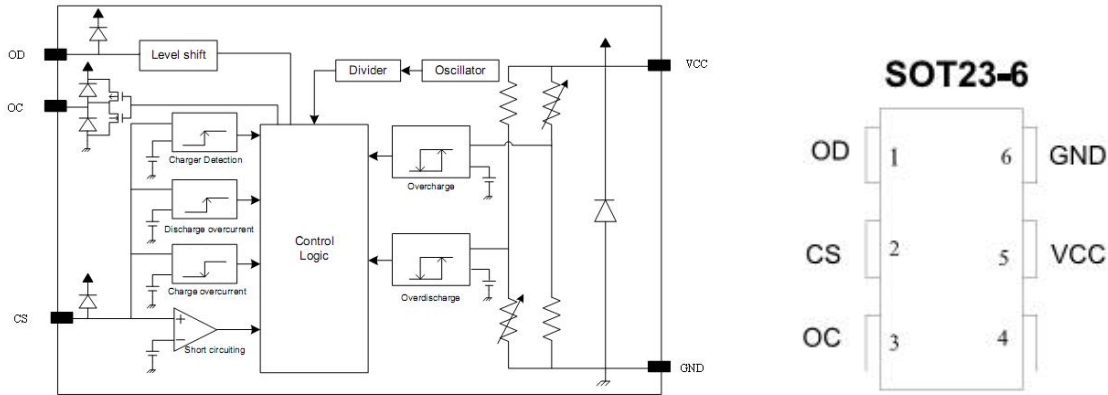
0V charging, Over discharge Self-recovery 零伏充電，過放自恢復
Precision Overcharge Protection Voltage $\pm 50\text{mV}$ 精確的過充保護電壓
Wide operating temperature range -40 to $+85^\circ\text{C}$ 寬工作溫度範圍
SOT23-6 Small Package 小型封裝

■ Application Circuit 應用電路



Discrete	Components	Function	Min.	Typ.	Max.	Unit
R1	Resistor	Current limit Noise filtering	-	100	1K	Ω
R2	Resistor	Current limit ESD protection	300	1K	2K	Ω
C1	Capacitor	Noise filtering	0.022	0.1	1.0	μF
M1	N-MOSFET	Discharge switch				
M2	N-MOSFET	Charge switch				

■ Internal Schematic Diagram 內部結構



■ Absolute Maximum Ratings 最大額定值

Characteristic 特性參數	Symbol 符號	Rating 額定值	Unit 單位
Supply voltage 供電電壓	V_{CC}	$-0.3\sim 10$	V
CS terminal input voltage CS 端輸入電壓	V_{CS}	$V_{CC}-28\sim V_{CC}+0.3$	V
OC terminal Output voltage OC 端輸出電壓	V_{OC}	$V_{CC}-28\sim V_{CC}+0.3$	V
OD terminal Output voltage OD 端輸出電壓	V_{OD}	$V_{CC}-0.3\sim V_{CC}+0.3$	V
Operation Temperature 工作溫度	T_{opr}	$-40\sim +85$	$^\circ\text{C}$
Storage Temperature 儲存溫度	T_{stg}	$-55\sim +125$	$^\circ\text{C}$



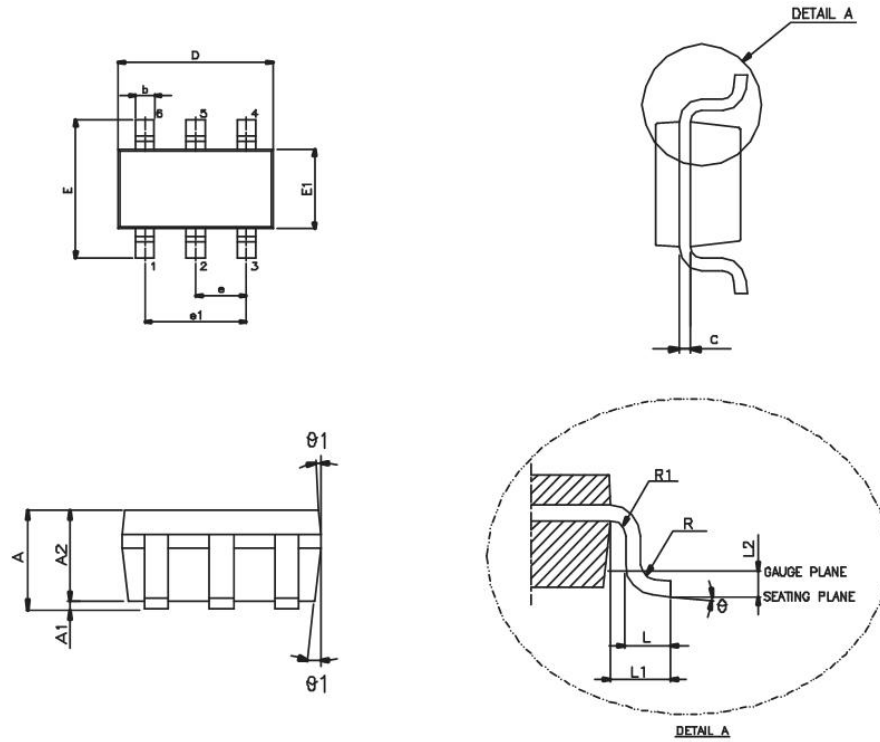
■ Electrical Characteristics 電特性

($T_A=25^{\circ}\text{C}$ unless otherwise noted 如無特殊說明，溫度為 25°C)

Characteristics 特性參數 (Test Condition 測試條件)	Symbol 符號	Min 最小值	Typ 典型值	Max 最大值	Unit 單位
Operating voltage between V _{CC} & GND 間工作電壓	V _{CC}	1.5	—	9.0	V
Operating voltage between OC & CS 間工作電壓		1.5	—	25.0	V
Minimum operating voltage for 0V charging 零充電狀態工作電壓	V _{st}	—	—	1.2	V
Discharging overcurrent release resistance 放電過流釋放電阻(V _{CC} =3.6V, V _{CS} =1V)	R _{short}	30	50	100	K Ω
OC pin Nch ON voltage OC 腳 N 溝道開啟電壓	V _{CL}	—	0.4	0.5	V
OC pin Pch ON voltage OC 腳 P 溝道開啟電壓	V _{CH}	V _{CC} -0.1	V _{CC} -0.02	—	V
OD pin Nch ON voltage OD 腳 N 溝道開啟電壓	V _{DL}	—	0.2	0.5	V
OD pin Pch ON voltage OD 腳 P 溝道開啟電壓	V _{DH}	V _{CC} -0.1	V _{CC} -0.02	—	V
Current consumption 消耗電流(V _{CC} =3.5V, V _{CS} =0V)	I _{CC}	1.2	2.4	6.0	μA
Overdischarge current consumption (Self-recovery) 過放電(自恢復)消耗電流(V _{CC} =V _{CS} =2.0V)	I _{DOX}	—	1.8	3.0	μA
Overcharge Protection Voltage 過充保護電壓(R1=100 Ω)	V _{OCP}	4.25	4.30	4.35	V
Overcharge Release Voltage 過充釋放電壓(R1=100 Ω)	V _{OCR}	4.05	4.10	4.15	V
Overcharge hysteresis voltage 過充滯後電壓 (V _{hys} =V _{OCP} -V _{OCR} , R1=100 Ω)	V _{hys}	—	0.2	—	V
Overdischarge Protection Voltage 過放保護電壓(V _{CS} =0V, R1=100 Ω)	V _{ODP}	2.30	2.40	2.50	V
Overdischarge Release Voltage (R1=100 Ω) 過放釋放電壓(R1=100 Ω , R2=1K Ω , V _{CS} =V _{chg})	V _{ODR}	2.90 2.30	3.00 2.40	3.10 2.50	V
Discharging overcurrent detection voltage 放電過流檢測電壓(V _{CC} =3V, R2=1K Ω)	V _{DO}	0.11	0.14	0.17	V
Short Current Protection Voltage 短路保護電壓(V _{CC} =3.0V)	V _{short}	0.9	1.2	1.5	V
Overcharge Delay Time 過充延時(V _{CC} =3.8V→4.5V)	T _{OC}	50	100	200	ms
Overdischarge Delay Time 過放延時(V _{CC} =3.2V→2.2V)	T _{OD}	50	100	200	ms
Discharging overcurrent delay time 放電過流延時 (V _{CC} =3.0V, V _{CS} =0→0.2V)	T _{DO}	5	10	20	ms
Short delay time 短路延時(V _{CC} =3.5V, V _{CS} =0→1.0V)	T _{short}	—	50	100	μs
Charger detection voltage 充電檢測電壓 (V _{CC} =3.6V, R2=1K Ω)	V _{chg}	0.3	0.7	1.1	V



■ DIMENSION 外形封裝尺寸



SYMBOL	MIN.	NOM.	MAX.
A	—	—	1.45
A1	—	—	0.15
A2	0.90	1.15	1.30
b	0.30	—	0.50
c	0.08	—	0.22
D	2.90 BSC.		
E	2.80 BSC.		
E1	1.60 BSC.		
e	0.95 BSC		
e1	1.90 BSC.		
L	0.30	0.45	0.60
L1	0.60 REF.		
L2	0.25 BSC.		
R	0.10	—	—
R1	0.10	—	0.25
θ	0°	4°	8°
$\theta 1$	5°	10°	15°